

Datalogic S.r.l.
Via S. Vitalino, 13
40012 Calderara di Reno (BO)
Italy
Tel. +39 051 3147011
Fax +39 051 3147205

©2022 Datalogic S.p.A. and/or its affiliates

All rights reserved. Without limiting the rights under copyright, no part of this documentation may be reproduced, stored in or introduced into a retrieval system, or transmitted in any form or by any means, or for any purpose, without the express written permission of Datalogic S.p.A. and/or its affiliates.

Owners of Datalogic products are hereby granted a non-exclusive, revocable license to reproduce and transmit this documentation for the purchaser's own internal business purposes. Purchaser shall not remove or alter any proprietary notices, including copyright notices, contained in this documentation and shall ensure that all notices appear on any reproductions of the documentation.

Electronic versions of this document may be downloaded from the Datalogic website (www.datalogic.com). If you visit our website and would like to make comments or suggestions about this or other Datalogic publications, please let us know via the "Contact" page.

Disclaimer

Datalogic has taken reasonable measures to provide information in this manual that is complete and accurate, however, Datalogic shall not be liable for technical or editorial errors or omissions contained herein, nor for incidental or consequential damages resulting from the use of this material. Datalogic reserves the right to change any specification at any time without prior notice.

Trademarks

Datalogic and the Datalogic logo are registered trademarks of Datalogic S.p.A. in many countries, including the U.S.A. and the E.U.

Magellan is a trademark of Datalogic S.p.A. or of Datalogic and/or its affiliates, registered in many countries, including the U.S. and the E.U.

All other trademarks and brands are property of their respective owners.

Patents

See www.patents.datalogic.com for patent list.

Magellan 9900i base models

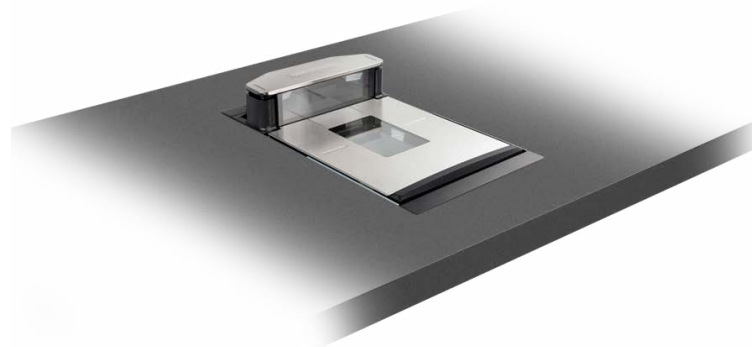
This product is covered by one or more of the following patents:

Design patents: EP002139097, USD708183, USD728574, USD741332, ZL201230602464.1

Utility patents: CA2492693C, CA2508118C, EP1479054B1, EP1481378B1, EP1771810B8, EP1797521B1, EP1828957B1, EP1890272B1, EP2220586B1, EP2287817B1, EP2510476B1, EP2517148B1, EP2715608B1, EP2850821B1, US7108170, US7132947, US7170414, US7201322, US7204422, US7234641, US7495564, US7506816, US7527198, US7619527, US8006904, US8011579, US8172145, US8245926, US8358211, US8556175, US8561902, US8833659, US8915443, US9004359, ZL200880117067.6, ZL200980163411.X, ZL201080055422.9, ZL201280026964.2

MAGELLAN™ 9900i

REGULATORY ADDENDUM



Scanner and Scanner-Scale with Imaging Technology

This document is an addendum to the Quick Reference Guide (QRG) for this product. See the QRG for additional product information.

©2022 Datalogic S.p.A. and/or its affiliates. All rights reserved. Without limiting the rights under copyright, no part of this documentation may be reproduced, stored in or introduced into a retrieval system, or transmitted in any form or by any means, or for any purpose, without the express written permission of Datalogic S.p.A. and/or its affiliates. Datalogic and the Datalogic logo are registered trademarks of Datalogic S.p.A. in many countries, including the U.S. and the E.U.

www.datalogic.com



850054801 (Rev B) September 2022

REGULATORY INFORMATION



CAUTION: This is a Class A product. In a domestic environment, this product may cause radio interference, in which case the user may be required to take adequate measures

FCC

This equipment has been tested and found to comply with the limits for a Class A digital device, pursuant to part 15 of the FCC Rules. These limits are designed to provide reasonable protection against harmful interference when the equipment is operated in a commercial environment. This equipment generates uses and can radiate radio frequency energy, and if not installed and used in accordance with the instruction manual, may cause harmful interference to radio communications. Operation of this equipment in a residential area is likely to cause harmful interference in which case the user will be required to correct the interference at his own expense.

Canada

This Class A digital apparatus complies with Canadian ICES-003.
Cet appareil numérique de la classe A est conforme à la norme NMB-003 du Canada.

Power Supply

The scanner requires the use of an external power adapter. Use only Datalogic-approved power supplies. See the Product Reference Guide (PRG) for more information. Alternately, scanners connected via USB can receive Power Off the Terminal (P.O.T.) if it is determined the terminal can supply adequate power to the scanner in this manner.

Safety



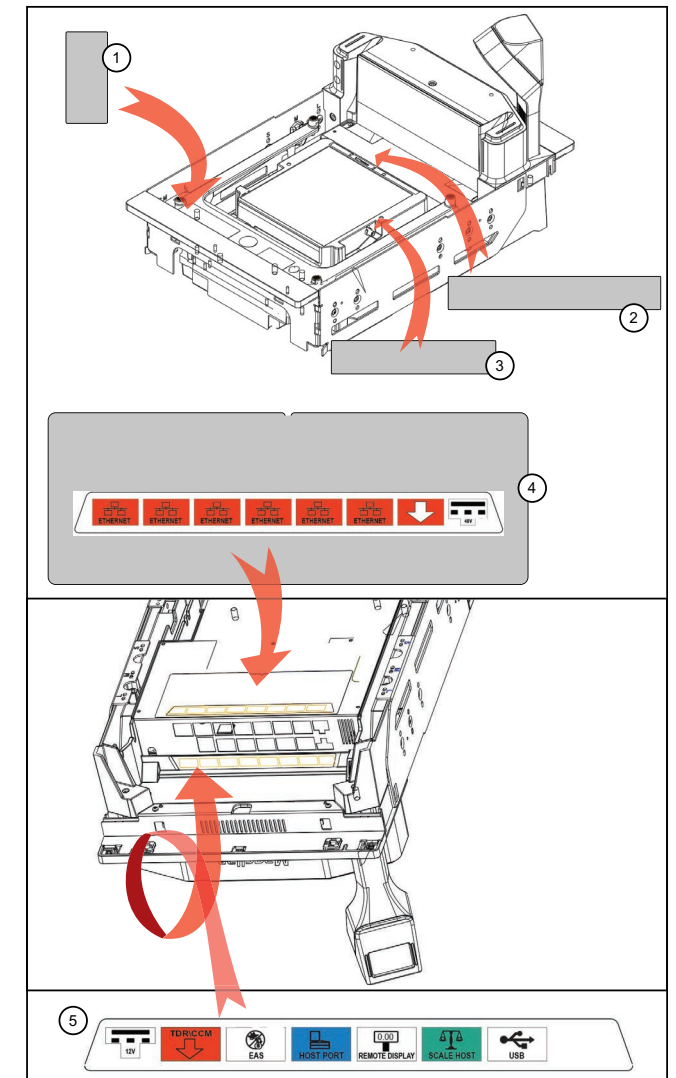
Please note that the LED lamps used for illumination and scanning have been tested and do not pose any photobiological hazards through normal use. The scanner does not contain any laser devices.

PRODUCT LABELING

The figure below shows the general shape and position of the labels located on the scanner beneath the platter and on the bottom side of the scanner.



NOTE: Labels are shown to illustrate their location only. Please view the labels on your product for actual details.



Beneath the Platter		Underside of Scanner	
1	Scale Regulatory Label (units with scales only)	4	Ethernet Switch I/F Label
2	Serial Number Label	5	Main Board I/F Label
3	Serial Number Label for Scale with Pre-Defined Gravity Zone (if applicable)		

CHINA ROHS

DATALOGIC

Magellan 9900i

PART	部件名称	有毒有害物质或元素					多溴二苯醚 Polybrominated diphenyl ethers (PBDE)
		铅 Lead (Pb)	汞 Mercury (Hg)	镉 Cadmium (Cd)	六价铬 Hexavalent Chromium (Cr(VI))	多溴联苯 Polybrominated biphenyls (PBB)	
Cable	电缆	X	○	○	○	○	○
Scale Assembly, Spider	电子秤组件	X	○	○	○	○	○
PCB Assemblies	电子秤支架 组件	X	○	○	○	○	○
Assembly Remote display	多组秤架的秤序 集	X	○	○	○	○	○
Power Off Terminal Assembly	显示器组件	X	○	○	○	○	○
Scale Sentry assembly	终端断电组 件	X	○	○	○	○	○
	扫描磅秤大会	X	○	○	○	○	○

本表格依据 SJ/T 11364 的规定编制。

○ 表示该有害物质在该部件所有均质材料中的含量均在 GB/T 26572 规定的限量要求以下。
× 表示该有害物质至少在该部件的某一均质材料中的含量超出 GB/T 26572 规定的限量要求。

EFUP determined by "Look-up Method" (scanner). 环保使用期限取决于“查表法” (扫描仪)

WEEE Statement



English

For information about the disposal of Waste Electrical and Electronic Equipment (WEEE), please refer to the website at www.datalogic.com.

Italian

Per informazioni sullo smaltimento delle apparecchiature elettriche ed elettroniche consultare il sito Web www.datalogic.com.

French

Pour toute information relative à l'élimination des déchets électroniques (WEEE), veuillez consulter le site internet www.datalogic.com.

German

Informationen zur Entsorgung von Elektro- und Elektronik- Altgeräten (WEEE) erhalten Sie auf der Webseite www.datalogic.com.

Spanish

Si desea información acerca de los procedimientos para el desecho de los residuos del equipo eléctrico y electrónico (WEEE), visite la página Web www.datalogic.com.

Portuguese

Para informações sobre a disposição de Sucatagem de Equipamentos Elétricos e Eletrônicos (WEEE -Waste Electrical and Electronic Equipment), consultar o site web www.datalogic.com.

Chinese

有关处理废弃电气电子设备 (WEEE) 的信息, 请参考 Datalogic 公司的网站 www.datalogic.com。

Japanese

廃電気電子機器 (WEEE) の処理についての関連事項は Datalogic のサイト www.datalogic.com をご参照下さい。

European Declaration of Conformity

Hereby, Datalogic S.r.l. declares that the full text of the EU Declaration of Conformity is available at: www.datalogic.com.

Select the Support & Service > Downloads > Product Certifications link where you can search for your specific product certification.

UKCA Declaration of Conformity

Hereby, Datalogic S.r.l. declares that the full text of the UKCA Declaration of Conformity is available at: www.datalogic.com.

Select the Support & Service >Downloads > Product Certifications link where you can search for your specific product certification.